

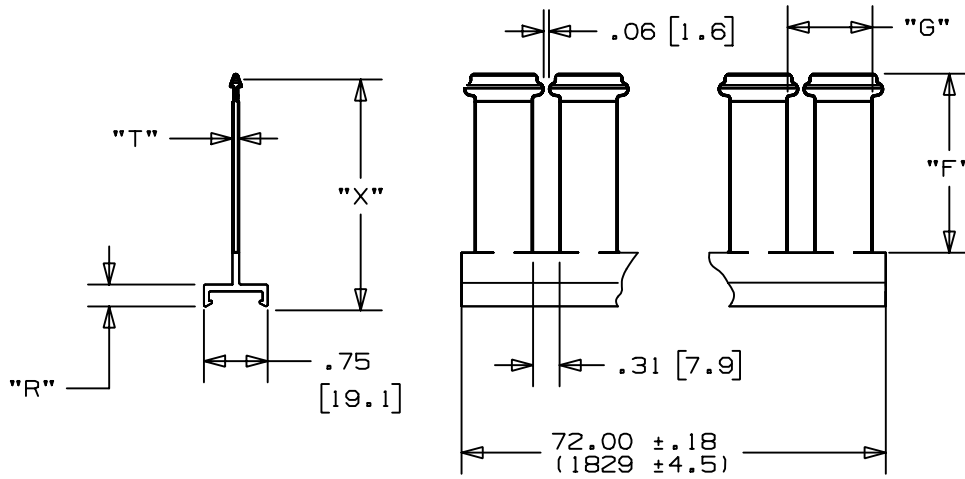
THIS COPY IS PROVIDED ON A RESTRICTED BASIS AND IS NOT TO BE USED IN ANY WAY DETRIMENTAL TO THE INTERESTS OF PANDUIT CORP.

△ B

| PANDUIT P/N | "X" | "T" | "R" | "F" | "G" | WEIGHT |
|-------------|---------------------------|-----------------------|-----------------------|-------------------------|-------------------------|---------------------------|
| SD2H6 | 1.79 ±.03 (45.3 ±.8) | .07 ±.01 (1.7 ±.3) | .24 ±.03 (6.0 ±.7) | 1.18 ±.03 (29.9 ±.8) | .8 ±.04 (2.0 ±1.0) | .077 LB/FT (.115 Kg/M) |
| SD3H6 | 2.74 ±.05 (69.7 ±1.3) | .09 ±.02 (2.1 ±.4) | .26 ±.03 (6.5 ±.7) | 2.11 ±.03 (55.4 ±.8) | 1.0 ±.04 (25.4 ±1.0) | .132 LB/FT (.197 Kg/M) |
| SD4H6 | 3.53 ±0.06 (89.8 ±1.5) | .11 ±.02 (2.8 ±.5) | .26 ±.03 (6.5 ±.7) | 2.90 ±.03 (73.7 ±.8) | 1.0 ±.04 (25.4 ±1.0) | .288 LB/FT (.429 Kg/M) |

NOTES:

1. SEE CURRENT CATALOG FOR ADDITIONAL PART SUFFIXES TO INDICATE COLOR AND OR PACKAGE QUANTITY.
- △ 2. THIS PART IS INTENDED TO BE USED WITH MOUNTING BASE DB-C OR DBM-C IN ORDER TO SUCCEED AS A DIVIDER WALL APPLICATION.
3. DIMENSIONS IN PARENTHESES ARE METRIC.



△ C

CAD FILENAME/LAYERS D36089BG_DC_SDW_02A.prt

PANDUIT CORP. TINLEY PARK, ILLINOIS
 SLOTTED DIVIDER WALL FOR
 WIRING DUCT (SD2H6, SD3H6, SD4H6)
 CUSTOMER DRAWING

UNLESS OTHERWISE SPECIFIED,
 DIMENSIONAL TOLERANCES ARE:
 (.X) ± (.XXX) ±
 (.XX) ±.03 (.8) ANGLES ±

UNLESS OTHERWISE SPECIFIED,
 ALL DIMENSIONS ARE GIVEN
 IN INCHES, THIRD ANGLE PROJECTION.

| REV | DATE | BY | CHK | DESCRIPTION | ECN | CHK | CUST | SUP |
|-----|----------|------|-----|--|----------|-----|------|-----|
| 2 | 4/12/04 | JCST | JKG | C. MODIFIED TITLE B. MODIFIED CHART | 36089-07 | HIW | HIW | |
| 1 | 12-10-98 | DW | HIW | A. ADDED DBM-C TO NOTE 2. | 36089-07 | HIW | HIW | |
| R | 7-23-97 | DW | HIW | RELEASED TO PRODUCTION. | 36089-07 | HIW | HIW | |

DRAWN BY
DW
 DATE
7-23-97
 CHECKED BY
HIW

MAT'L:
PVC

SCALE
NONE
 DRAWING NO.
36089-07
 DWG
A
 SIZE